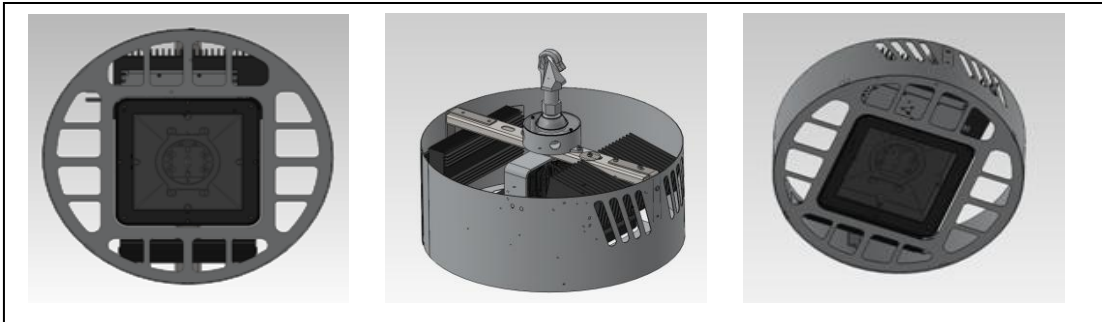


Hoosier

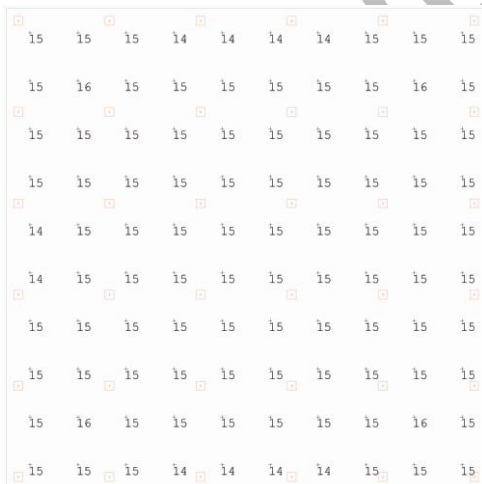
The **Hoosier** Bay Luminaire featuring Light Emitting Plasma™



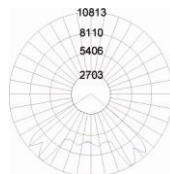
- ✓ 23,000 Source Lumens
- ✓ Energy Efficient: 72 Lumens/Watt
- ✓ Long Life – 50,000 hours
- ✓ Color Rendering of 75 CRI
- ✓ Compact Emitting Area
- ✓ Forward Directional Output
- ✓ Dimmable to 20%
- ✓ Rapid Start
- ✓ Digital or Analog Controllability

An ideal lighting fixture for Manufacturing, Warehouses, and other high illuminance applications. Replaces 400W metal halide and HPS, 1000W mercury vapor, and 1500W incandescent lighting fixtures without the need for new wiring or changed spacing. The head is a fixed position; the body features an industrial design; and the electrical components are IP67 rated.

HOOSIER BAY @ 30'

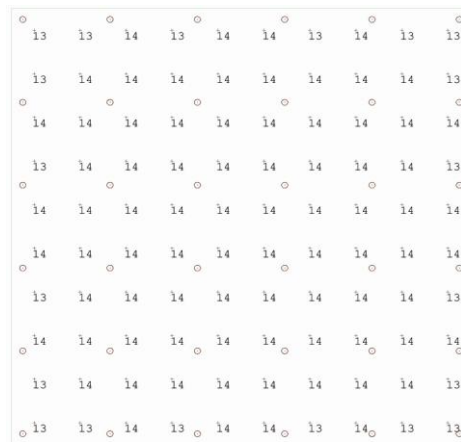


CALC PTS
Illuminance (Fc)
Average=14.94
Maximum=16
Minimum=14
Avg/Min=1.07
Max/Min=1.14

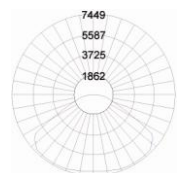


36 LUMINAIRES USED 280W – TOTAL 10,080W

STANDARD 400W METAL HALIDE HIGH BAY @ 30'



CALC PTS
Illuminance (Fc)
Average=13.08
Maximum=14
Minimum=13
Avg/Min=1.06
Max/Min=1.08



36 LUMINAIRES USED 470W – TOTAL 19,920W

Part Description

Hoosier Bay	
Diameter	572mm/22.5"
Height	203mm/8.0"
Weight	21 lbs
Operating Temperature	-40 to 45 ⁺ °C
Rated Average Life	50,000 hours
Source Lumens	23,000 lumens
Fixture Lumens	20,000 lumens
Voltage	100-277V 480V Optional
Typical Turn-On Time	45 seconds
CCT	5,500K
CRI	75
Dimming Range	20-100%
Nominal AC Power	295 watts @208V
Current @ 120v	<2.6A
Current @277v	<1.1A
Current @ 480v	<0.65A
Power Factor	0.99

Compliance Testing	
Safety, Lamp (US)	UL1029
Safety, Lamp (EU)	EN61347-1:2008 EN60347-2-9:2009
Photometric, Lamp and Fixture	IESNA LM-79
EMC	CISPR22/FCC Part 18 Class A
Materials, Lamp	RoHS

Mounts:	Rod, Stem, Hook 20-50 ft high
Lens:	Tempered Glass
Housing:	Aluminum

Fixture	Source	Reflector	Lens	Voltage	Color	Cord Set	Control	Options
HHB	411 ¹ (23000 Lumens 75 CRI) 280W	C1 (Octagonal)	C ¹ (Clear)	1 ¹ (100-277 VAC)	BA ¹ (Brushed Aluminum)	00 ¹ (No Cord)	Shipped installed to fixture	Shipped installed to fixture
	412 (17000 lumens 95 CRI) 280W	S1 (60x60)	S (Solite)	2 (277-480 VAC)	BL (Black)	C1 (8', 5-15P Cord Set)	000 ¹ (No Controls)	00 ¹ (No Options)
	321 (14000 lumens 75 CRI) 230W	S2 ¹ (90x90)	P (Prismatic)		WH (White)	C2 (12', 5-15P Cord Set)	MD1 (Motion Detector 120/277)	SF (Single Fuse)
	251 (10000 lumens 75 CRI) 160W	R1 (90x60)			GY (Gray)	C3 (12', 6-15P Cord Set)	MD2 (Motion Detector 347/480)	YY (Custom)
					XX (Custom)	C4 (12', L5-15P Cord Set)	XXX (Custom)	



Notes:
1. Standard Components. If not specified, default option.

Product	Source	Reflector	Glass	Voltage	Color	Cord Set	Controls	Options										
H	H	B	4	1	1	S	1	C	1	B	A	0	0	0	0	0	S	F

Hoosier, 23000 Lumen Source, Square Reflector, Clear Glass, 100-277VAC, Aluminum, No Plug, No Controls, Single Fuse

Accessories (Order Separately)

SLOT PN	Description
1000283	Bracket, Hook. 3/8" NPT to hook.

Control Options

Stray Light fixtures can be purchased with multiple control options. We offer integration options for existing systems as well our own custom solution which allows control through mobile devices such as your phone!

