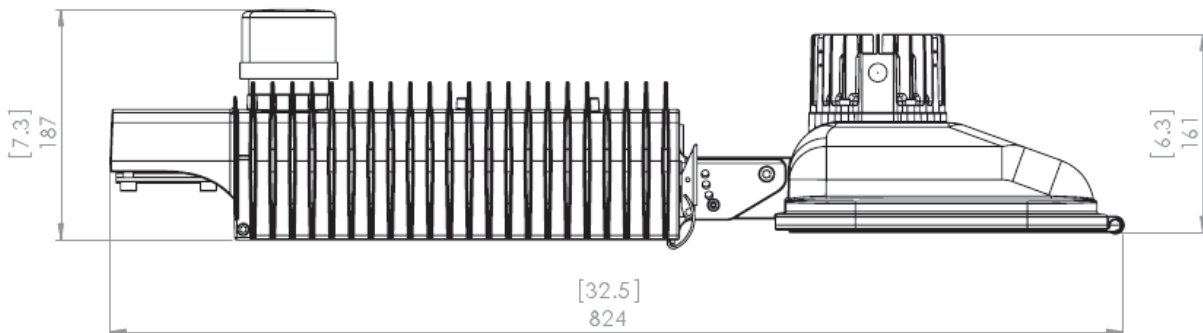


Maxwell

The **Maxwell** Cobrahead Luminaire featuring Light Emitting Plasma™

- ✓ 12,000 Source Lumens
- ✓ Energy Efficient: 62.5 Lumens/Watt
- ✓ Long Life – 50,000 hours
- ✓ Color Rendering of 75 CRI
- ✓ Compact Emitting Area
- ✓ Forward Directional Output
- ✓ Dimmable to 20%
- ✓ Rapid Start
- ✓ Digital or Analog Controllability

An ideal lighting fixture for streets, parking lots and other high illuminance applications. Replaces 250W metal halide and HPS, 1000W mercury vapor, and 1500W incandescent lighting fixtures without the need for new poles or changed spacing. The head is tilt adjustable; the body features tool-less entry; and the electrical components are IP67 rated.



Part Description	Cobrahead
Ordering Codes	Maxwell
Length	810mm/31.91"
Width	365mm/14.37"
Weight	31 lbs
Operating Temperature	-40 to 45 °C
Wind Load EPA	1.2 ft ²
Rated Average Life	50,000 hours
Source Lumens	12,000 lumens
Fixture Lumens	10,000 lumens
Voltage	100-277V 480v Optional
Typical Turn-On Time	45 seconds
CCT	5,700K
CRI	75
Dimming Range ¹	20-100%
Nominal AC Power	160 watts @208V
Current @ 120v	<1.3A
Current @277v	<0.58A
Current @ 480v	<0.33A
Power Factor	0.99

Compliance Testing	
Safety, Lamp (US)	UL 1029
Safety, Lamp (EU)	EN61347-1: 2008 EN61347-2-9:2009
Photometric, Lamp & Fixture	IESNA LM-79
EMC	CISPR22/FCC Part 18 Class A
Materials, Lamp	RoHS

Fixture Pending CSA Certification

Mounts:	1½"-2½" poles 15-25 ft high
Lens:	Tempered Glass
Finish:	Powder Coat
Housing:	Aluminum

Fixture	Source	Optics	Voltage	Color	Options
FRA					
SAMPLE ORDER CODE FRA-STA32-01-T3-1-GY-PC1					

STA25-01 (11000 Lumens 75 CRI)	TYPE II SHORT (T2S)	1 120/277	BZ Bronze	PC1 120v Photo Cell
	TYPE II LONG (T2L)	2 347/480	BL Black	PC2 208v Photo Cell
	TYPE III (T3)		WH White	PC3 240v Photo Cell
	TYPE IV (T4)		GR Green	PC4 277v Photo Cell
	TYPE V (T5)		GY Gray	PC5 480v Photo Cell
			XX Custom Color	PCR Receptacle Only
				F1 Single Leg Fusing
				F2 Double Leg Fusing

